

LN Lighting technical data

LED LAMP 4W MR11

Lighting technical data

**LED MR11 is an alternative light source
with longer life and uniformed light distribution**



LED LAMP MR11



Line-Up

Model No.	Watts(W)	Light Output(lm)	Dimension(mm)	Light Color(K)	Beam Angle(Degree)
LN-11-4W-D-12A-CW-00	3-4	250±10%	35*40.9	6000K	30
LN-11-4W-D-12A-WW-00		200±10%	35*40.9	3000K	30

Technical Specifications

Item	Test Conditions	Min.	Typ.	Max.
Input Voltage(V, rms)	AC	---	12	---
Input Current(mA, rms)	AC(12V)	---	333	---
Input Voltage(V, rms)	DC	10	12	20
Input Power(W, rms)	DC(All)	---	4	---
Input Frequency(Hz)	AC	---	20KHz	---
Power Factor(PF)	AC(All)	---		
Output Voltage(V)	DC	9	9.45	9.9
Output Current(mA)	DC	330	350	370
Output Power(W)	DC	2.97	3.31	3.66

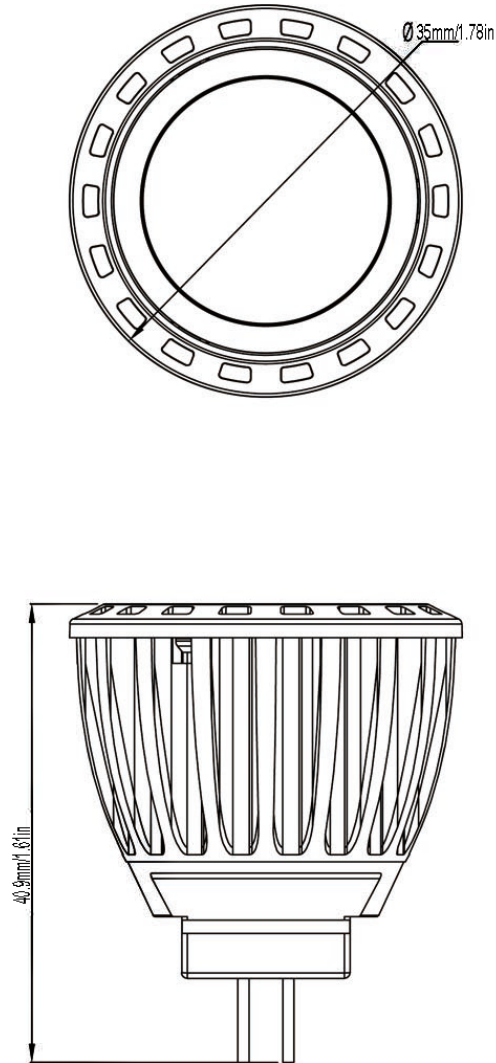
Environmental Requirements

Specifications	Values
Operational Temperature Range	-20~40℃
Preservation Temperature Range	-20~90℃
Operational Humidity Range	95%Rh or below (@-20~40℃)
Installation Area	Indoor (Counter, Residential, Commercial, etc)

LED LAMP MR11



Drawing



Material	IP
ADC12	20
PMMA	

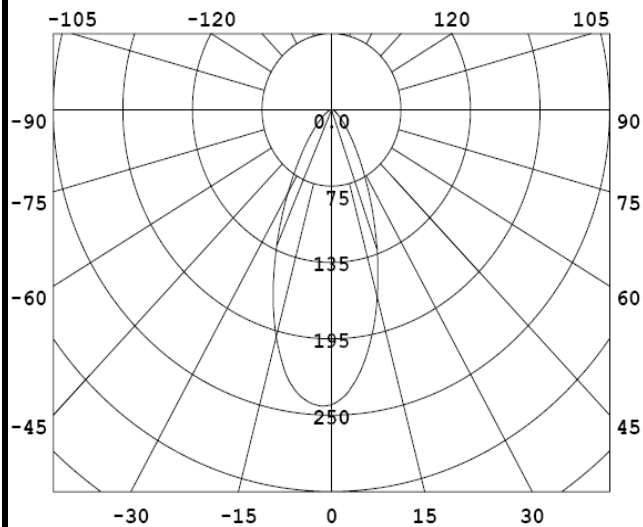
LED LAMP MR11



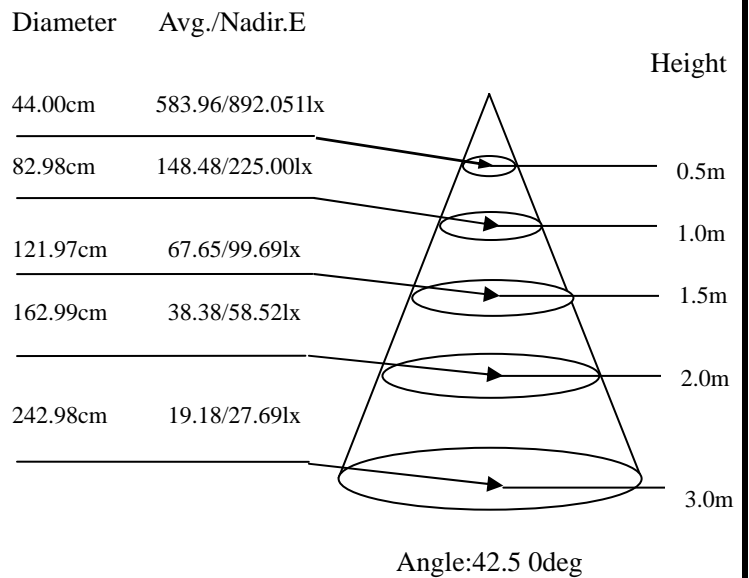
LN-11-4W-D-12A-CW-00

Category	Specifications	Unit
Watts	4	W
Lumens per Watt(Efficacy)	63	Lm/W
Light Output	250	lm
Light Color(CCT)	6000	K
Beam Angle	30	'(degree)
Color Accuracy(CRI)	70	Ra
Product Weight	30	G
Rating Life	35000	H
Base	GU4	
Input Voltage(AC)	12	V

Luminance Intensity Distribution



Cone Lux Diagram



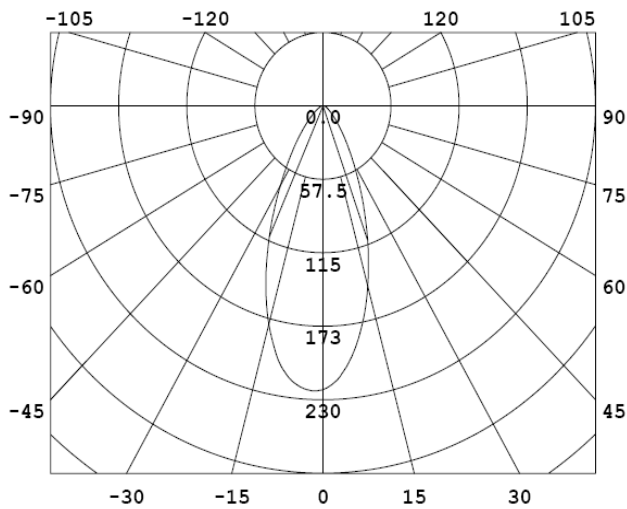
LED LAMP MR11



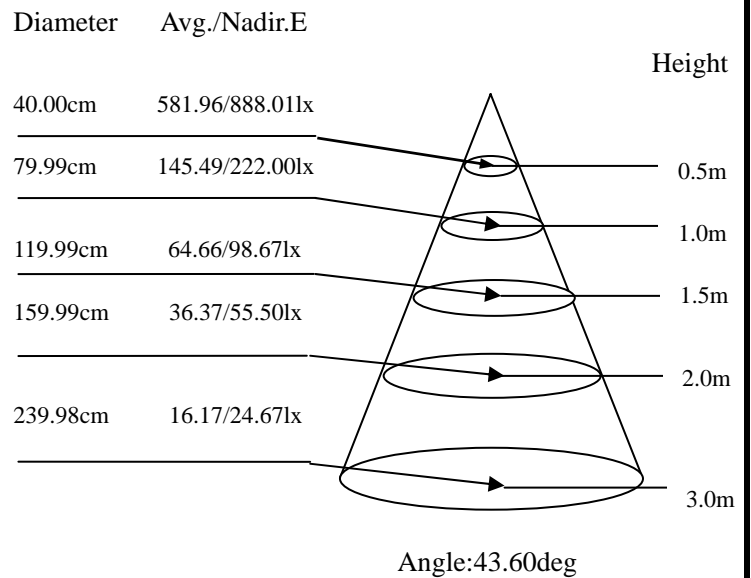
LN-11-4W-D-12A-WW-00

Category	Specifications	Unit
Watts	4	W
Lumens per Watt(Efficacy)	50	Lm/W
Light Output	200	lm
Light Color(CCT)	3000	K
Beam Angle	30	'(degree)
Color Accuracy(CRI)	80	Ra
Product Weight	30	G
Rating Life	35000	H
Base	GU4	
Input Voltage(AC)	12	V

Luminance Intensity Distribution



Cone Lux Diagram



LED LAMP MR11



Product Packaging	Specifications	Unit
Product Dimension	Φ35*H40.9	mm
Net Weigh	0.03	Kg
Size of box	L39*W39*H44	mm
Gross Weight	0.035	Kg
Size of inner box	L290*W240*H90	mm
Qty/ box	70	PCS
Gross Weight	2.597	Kg
Size of Carton	L555*W350*H320	mm
Box/ Carton	8	PCS
Qty/ Carton	560	PCS
Weight/ Carton	22	Kg

Revision History

MTime	Changed to: VER	Description of Change		
		Item	From	To
2013-1-19	1.03	Power	4±10%	3-4