

LN Lighting technical data

LED LAMP 150W HIGH BAY LIGHT

Lighting technical data

LED 150W HIGH BAY LIGHT is an alternative light source with longer life and uniformed light distribution



LED HIGH BAY LIGHT



Line-Up

Model No.	Watts(W)	Light Output(lm)	Dimension(mm)	Light Color(K)	Beam Angle(Degree)
LN-HBXW150WFNCW-SU-C	155±5%	11800±5%	500*389	6000K	120
LN-HBXW150WFNWW-SU-C	155±5%	9750±5%	500*389	3000K	120

Technical Specifications

Item	Test Conditions	Min.	Typ.	Max.
Input Voltage(V, rms)	AC	100	220	277
Input Current(mA, rms)	AC(220V)	---	705	---
Input Power(W, rms)	AC(All)	---	165	---
Input Frequency(Hz)	AC	---	50Hz/60Hz	---
Power Factor(PF)	AC(All)	≥0.9		
Output Voltage(V)	DC	30	31.5	33
Output Current(A)	DC	4.45	4.5	4.55
Output Power(W)	DC	133.5	141.75	150.15

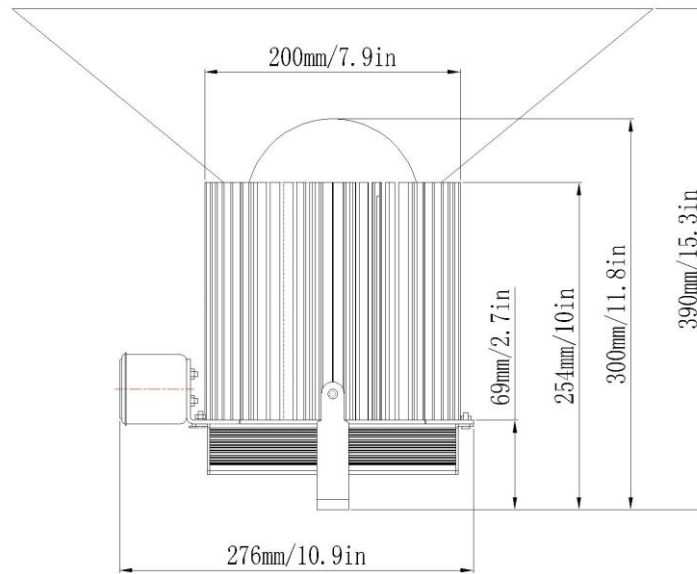
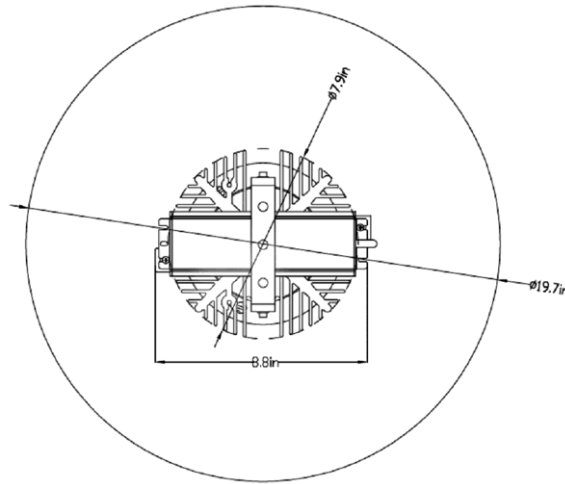
Environmental Requirements

Specifications	Values
Operational Temperature Range	-20~40℃
Preservation Temperature Range	-20~90℃
Operational Humidity Range	95%Rh or below (@-20~40℃)
Installation Area	Indoor (Counter, Residential, Commercial, etc)

LED HIGH BAY LIGHT



Drawing



Material	IP
radiator: AL6063-T5	20
lens: PC	

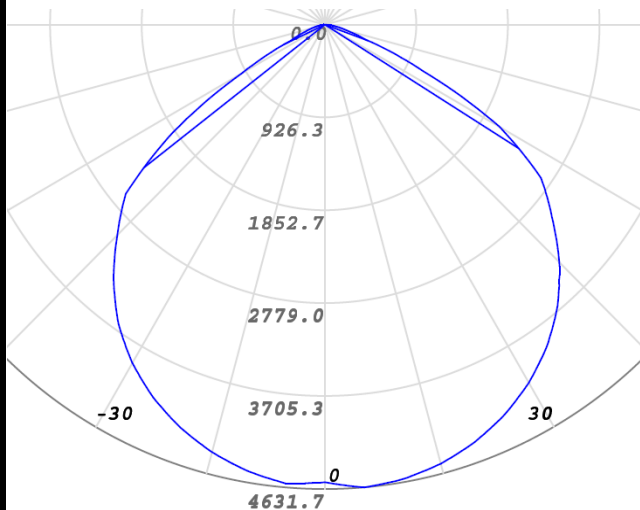
LED HIGH BAY LIGHT



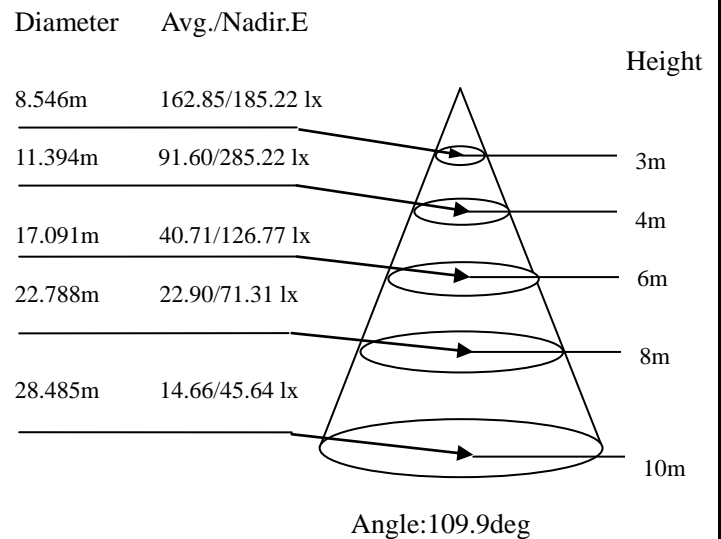
LN-HBXW150WFNCW-SU-C

Category	Specifications	Unit
Watts	155	W
Lumens per Watt(Efficacy)	76	Lm/W
Light Output	11800	lm
Light Color(CCT)	6000	K
Beam Angle	120	°(degree)
Color Accuracy(CRI)	80	Ra
Product Weight	8450	G
Rating Life	35000	H
Base	Line interface	
Input Voltage(AC)	220	V

Luminance Intensity Distribution



Cone Lux Diagram



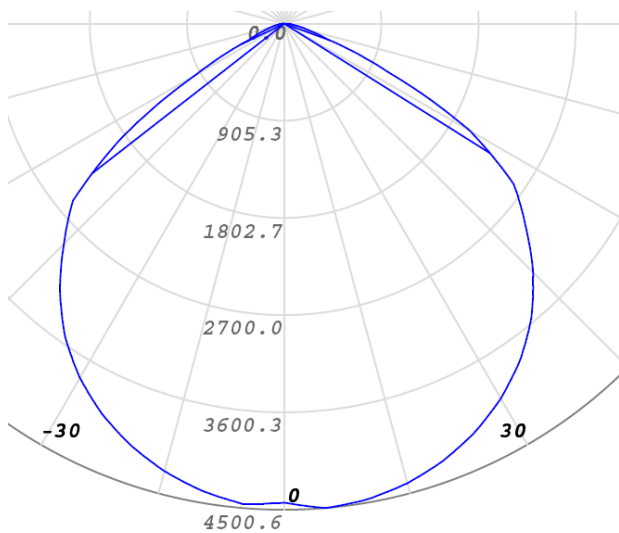
LED HIGH BAY LIGHT



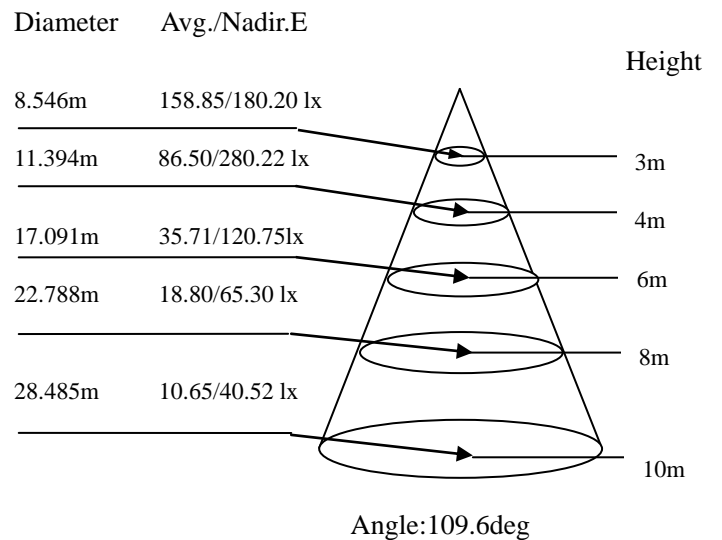
LN-HBXW150WFNWW-SU-C

Category	Specifications	Unit
Watts	155	W
Lumens per Watt(Efficacy)	63	Lm/W
Light Output	9750	lm
Light Color(CCT)	3000	K
Beam Angle	120	°(degree)
Color Accuracy(CRI)	80	Ra
Product Weight	8450	G
Rating Life	35000	H
Base	Line interface	
Input Voltage(AC)	220	V

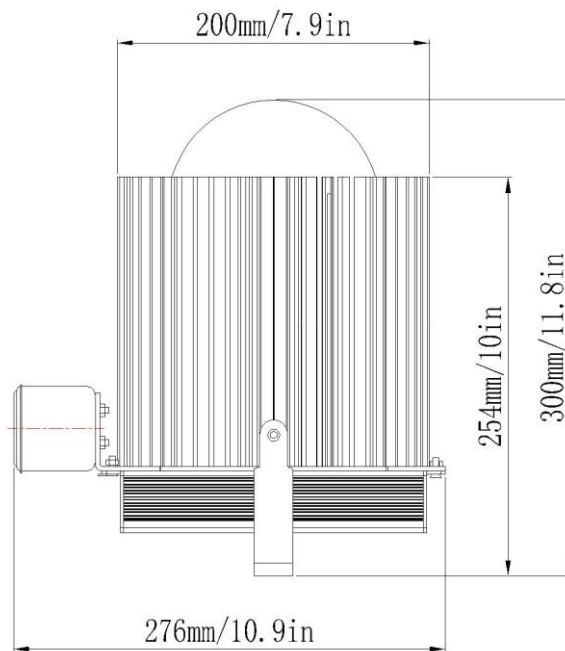
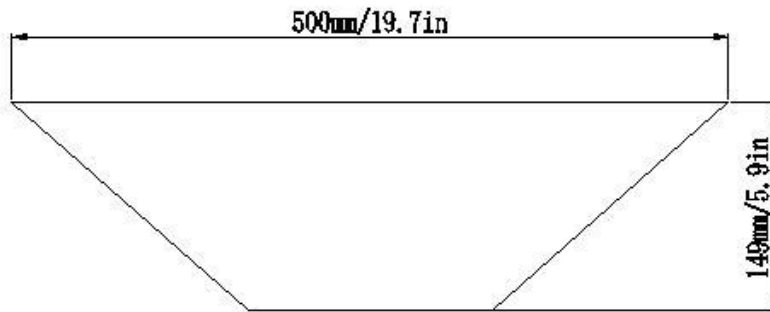
Luminance Intensity Distribution



Cone Lux Diagram



LED HIGH BAY LIGHT



Product Packaging	Specifications	Unit
Product Dimension	Φ500* H300	mm
Net Weigh	9.25	Kg
Size of Carton	L580*W580*H360	mm
Weight/ Carton	12.25	Kg

LED HIGH BAY LIGHT



Revision History

MTime	Changed to: VER	Description of Change		
		Item	From	To
2013-6-5	1.01	Light Output(CW)	14000±5%	9200±5%
		Light Output(WW)	12500±5%	7850±5%
2013-08-14	1.02	Light Output(lm)-CW	9200±5%	11800±5%
		Light Output(lm)-WW	7850±5%	9750±5%
		Mark	---	CE
		Output Current(A)-Typ.	4.2	4.5