

LN Lighting technical data

LED LAMP P56

Lighting technical data

**LED P56 is an alternative light source
with longer life and uniformed light distribution**



LED LAMP P56



Line-Up

Model No.	Watts(W)	Light Output(lm)	Dimension(mm)	Light Color(K)	Beam Angle(Degree)
LN-P56-27-28W-U-CD-CW-00	32	2200	170*121	6000	120
LN-P56-27-28W-U-CD-WW-00		2600	170*121	3000	120

Technical Specifications

Item	Test Conditions	Min.	Typ.	Max.
Input Voltage(V, rms)	AC	100	220	277
Input Current(mA, rms)	AC(220V)	---	145	---
Input Power(W, rms)	AC(All)	---	32	---
Input Frequency(Hz)	AC	---	50Hz/60Hz	---
Power Factor(PF)	AC(All)	≥0.93		
Output Voltage(V)	DC	29	30	32
Output Current(mA)	DC	850	900	950
Output Power(W)	DC	24.65	27	30.4

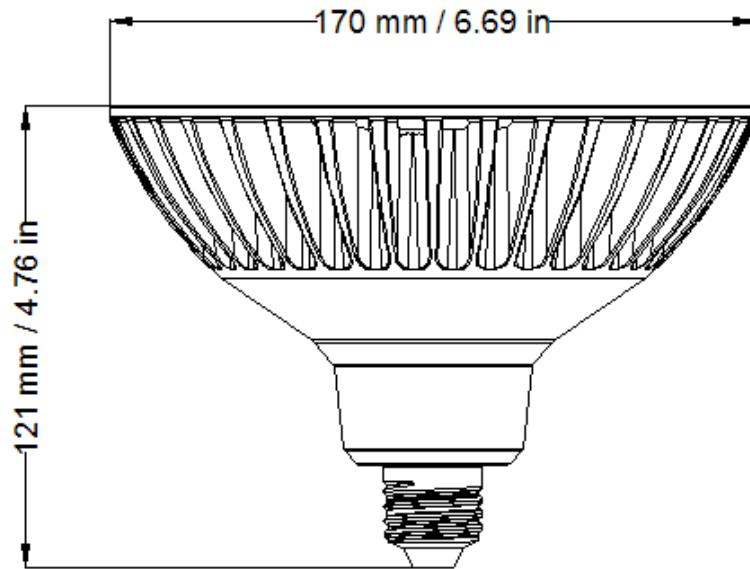
Environmental Requirements

Specifications	Values
Operational Temperature Range	-20~40°C
Preservation Temperature Range	-20~90°C
Operational Humidity Range	95%Rh or below (@-20~40°C)
Installation Area	Indoor (Counter, Residential, Commercial, etc)

LED LAMP P56



Drawing



Material

ADC12

PC

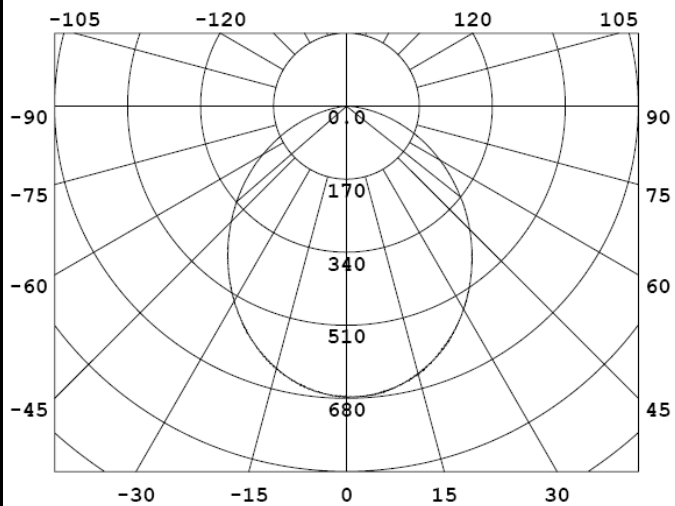
LED LAMP P56



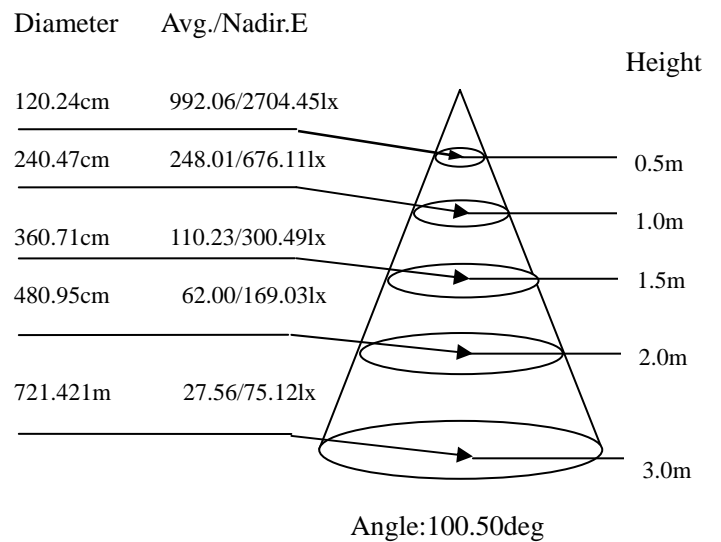
LN-P56-27-28W-U-CD-CW-00

Category	Specifications	Unit
Watts	32	W
Lumens per Watt(Efficacy)	81	Lm/W
Light Output	2600	lm
Light Color(CCT)	6000	K
Beam Angle	120	'(degree)
Color Accuracy(CRI)	70	Ra
Product Weight	840	G
Rating Life	35000	H
Base	E27	
Input Voltage(AC)	220	V

Luminance Intensity Distribution



Cone Lux Diagram



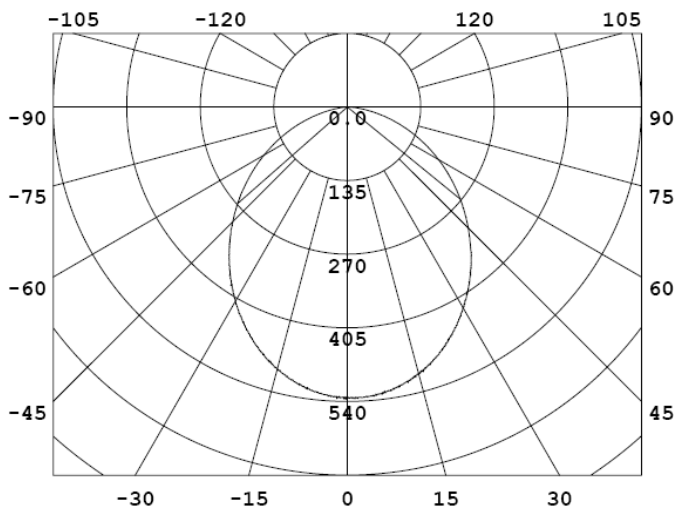
LED LAMP P56



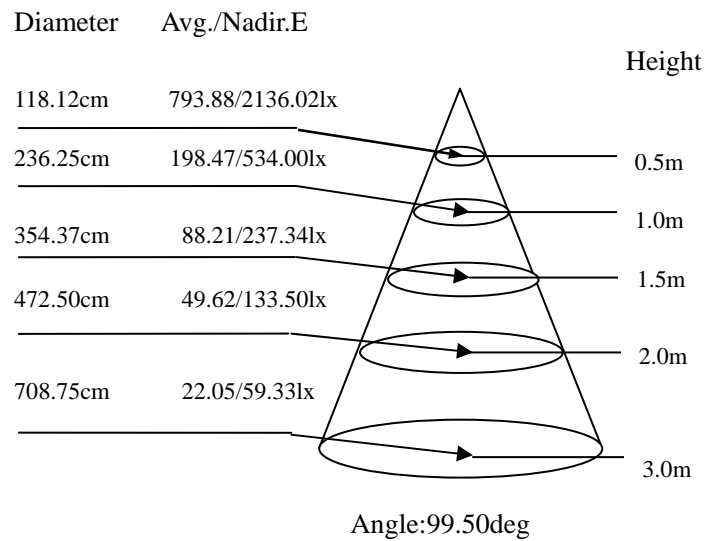
LN-P56-27-28W-U-CD-WW-00

Category	Specifications	Unit
Watts	32	W
Lumens per Watt(Efficacy)	69	Lm/W
Light Output	2200	lm
Light Color(CCT)	3000	K
Beam Angle	120	'(degree)
Color Accuracy(CRI)	80	Ra
Product Weight	840	G
Rating Life	35000	H
Base	E27	
Input Voltage(AC)	220	V

Luminance Intensity Distribution



Cone Lux Diagram



LED LAMP P56

Product Packaging	Specifications	Unit
Product Dimension	L170*W121	mm
Net Weigh	0.84	Kg
Size of box	L170*W170*H160	mm
Gross Weight	1	Kg
Size of Carton	L715*W375*H405	mm
Qty/ Carton	16	PCS
Weight/ Carton	17.5	Kg